

Arbor South Architecture

380 Lincoln Street  
Eugene, Oregon 97401  
Phone: 541-344-3332  
arborssouth.com

PROJECT

Cottages of Hope  
Everyone Village

INDEX

Side Door Layout  
Two End Windows

JOB NO.

Consult

DATE

27 March 2023

DRAWN BY

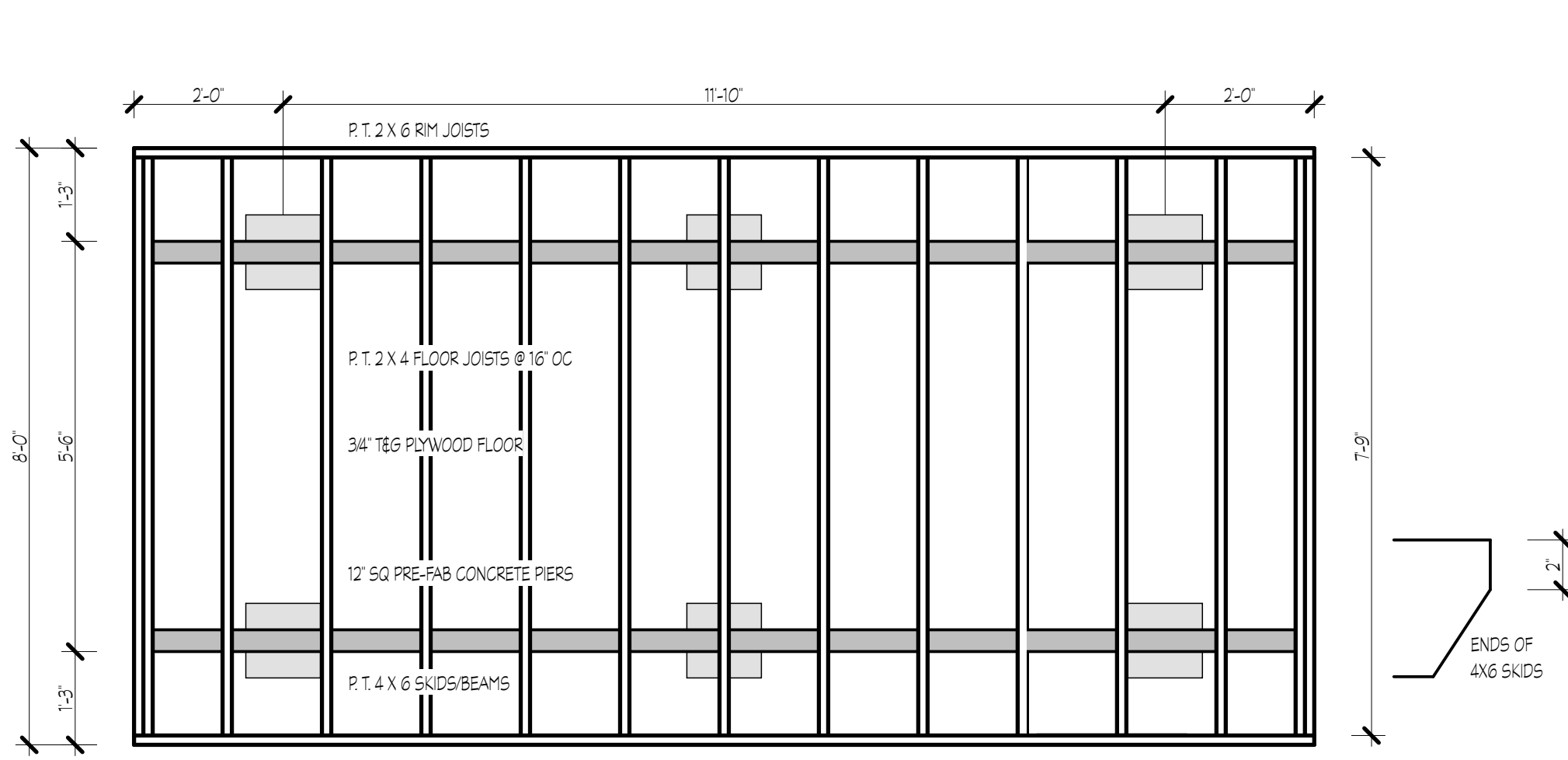
Bill

KB

CHECKED BY

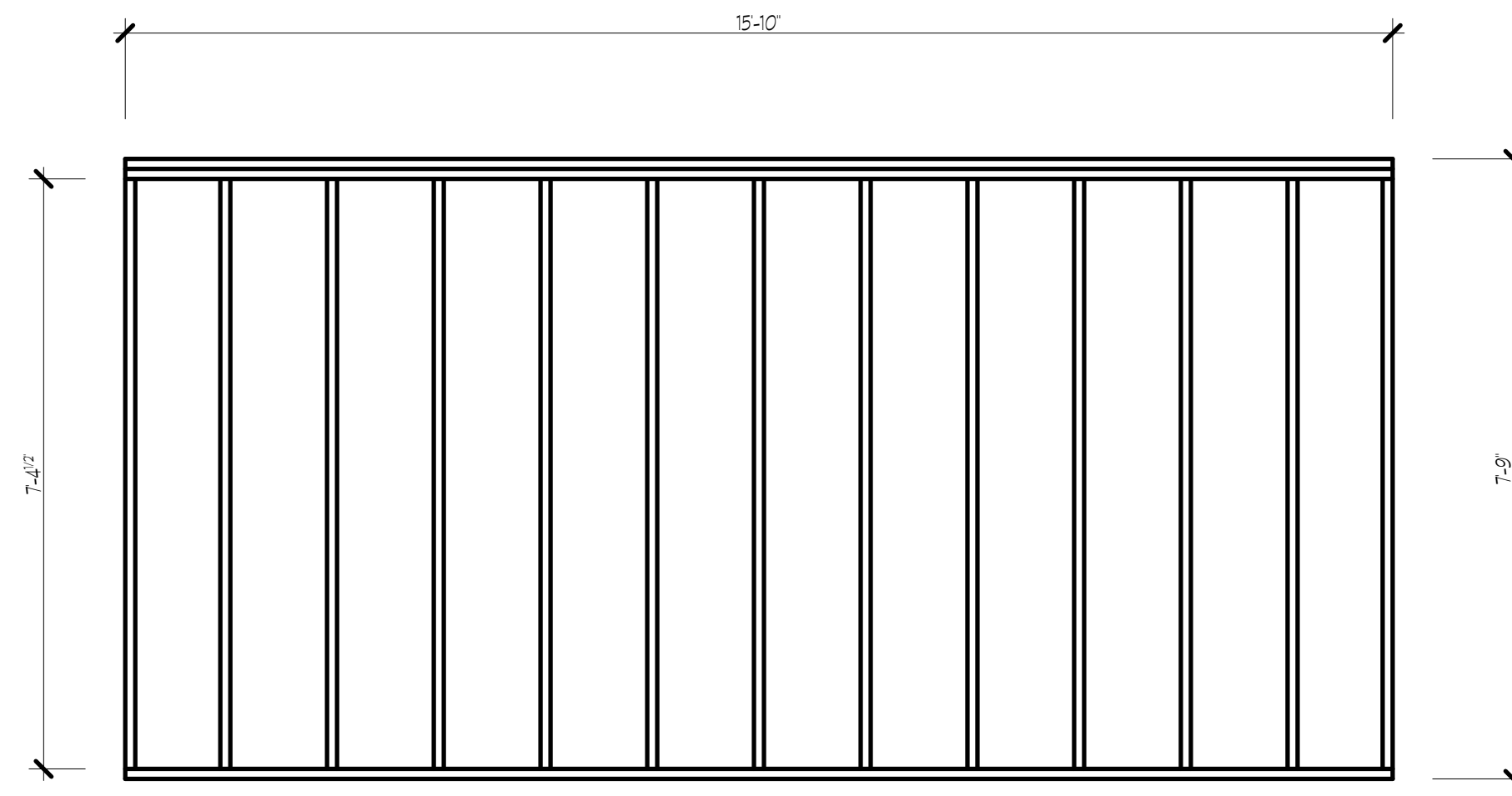
Bill

REVISION



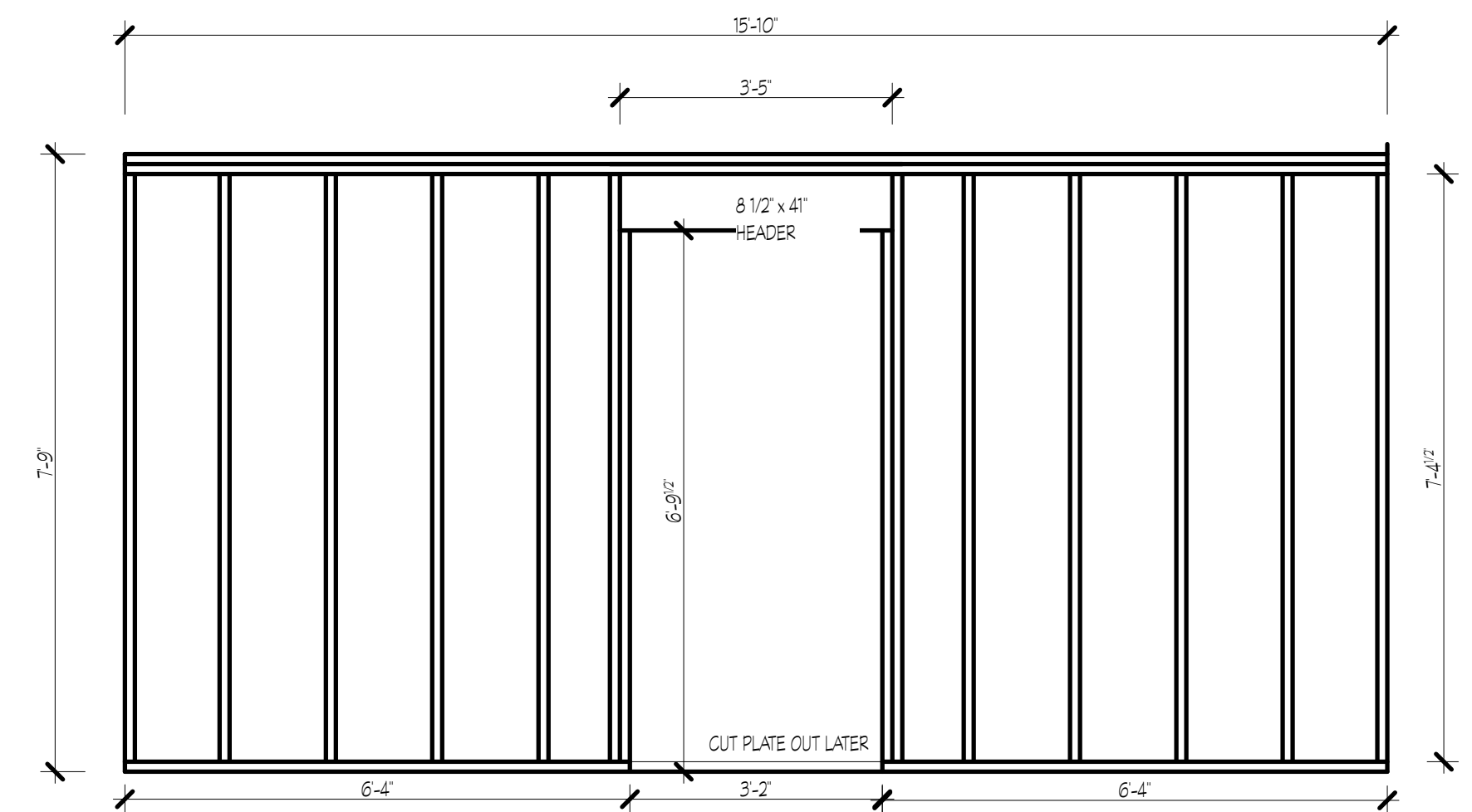
FLOOR FRAMING PLAN

SCALE: 1/2" = 1'-0"



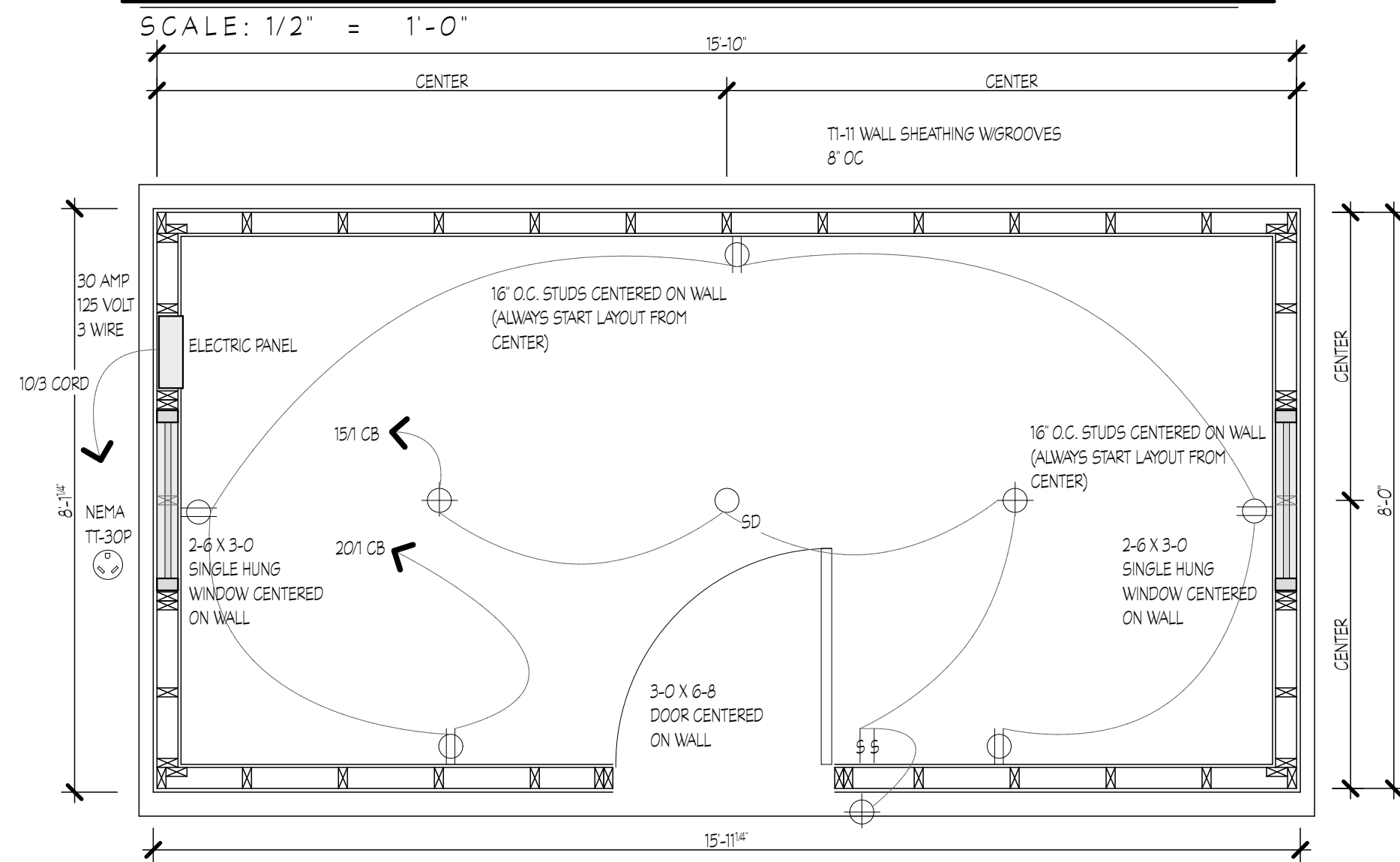
SIDE FRAMING

SCALE: 1/2" = 1'-0"



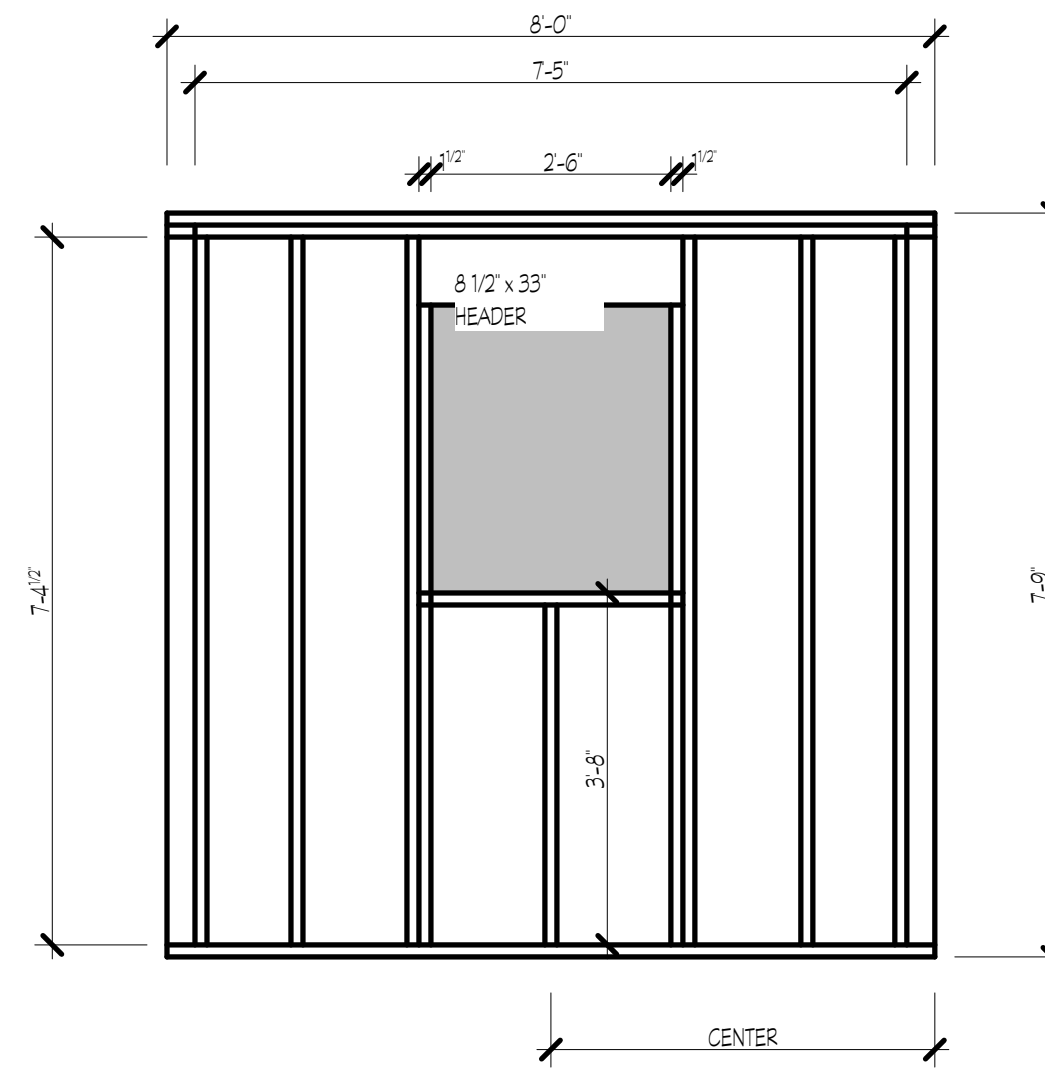
SIDE FRAMING (DOOR)

SCALE: 1/2" = 1'-0"



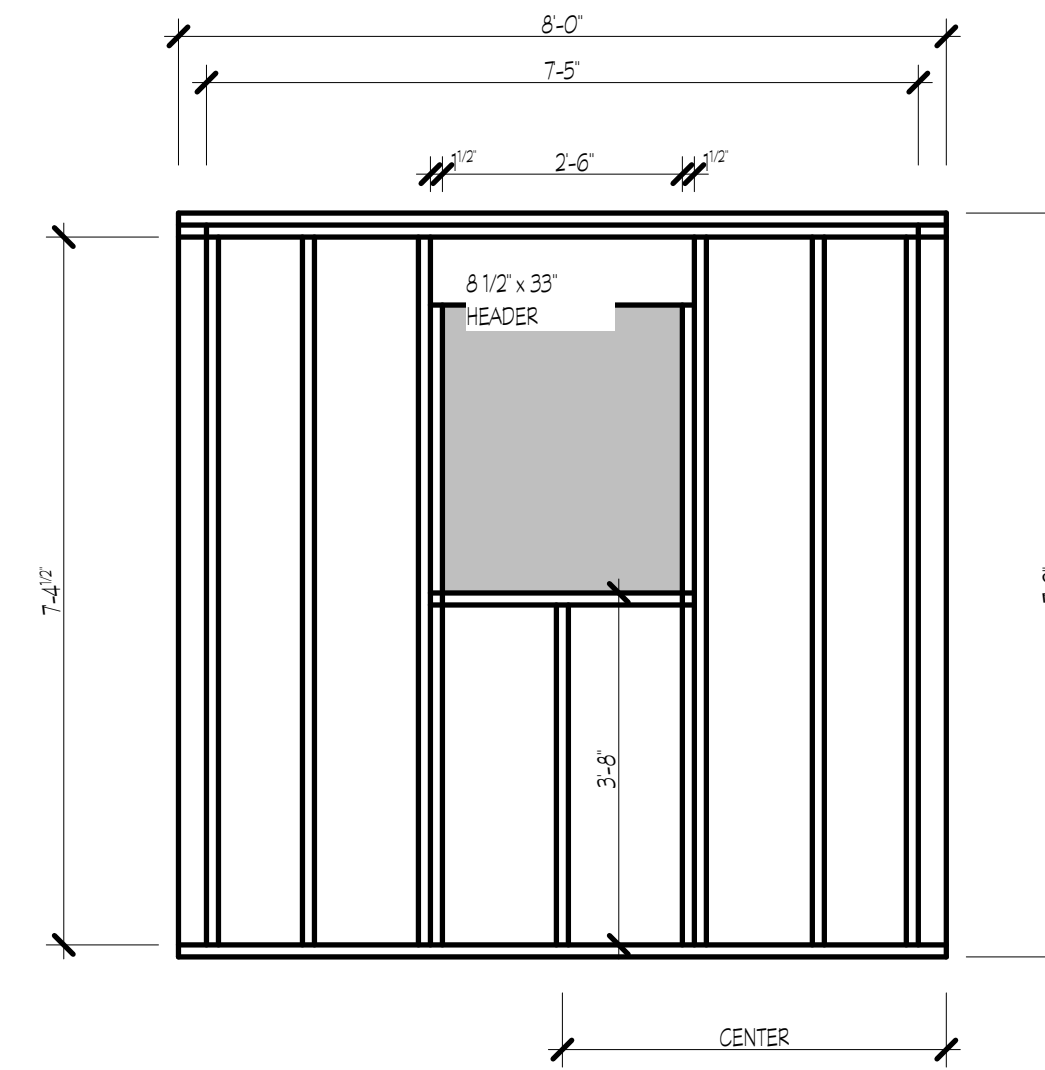
FLOOR PLAN

SCALE: 1/2" = 1'-0"



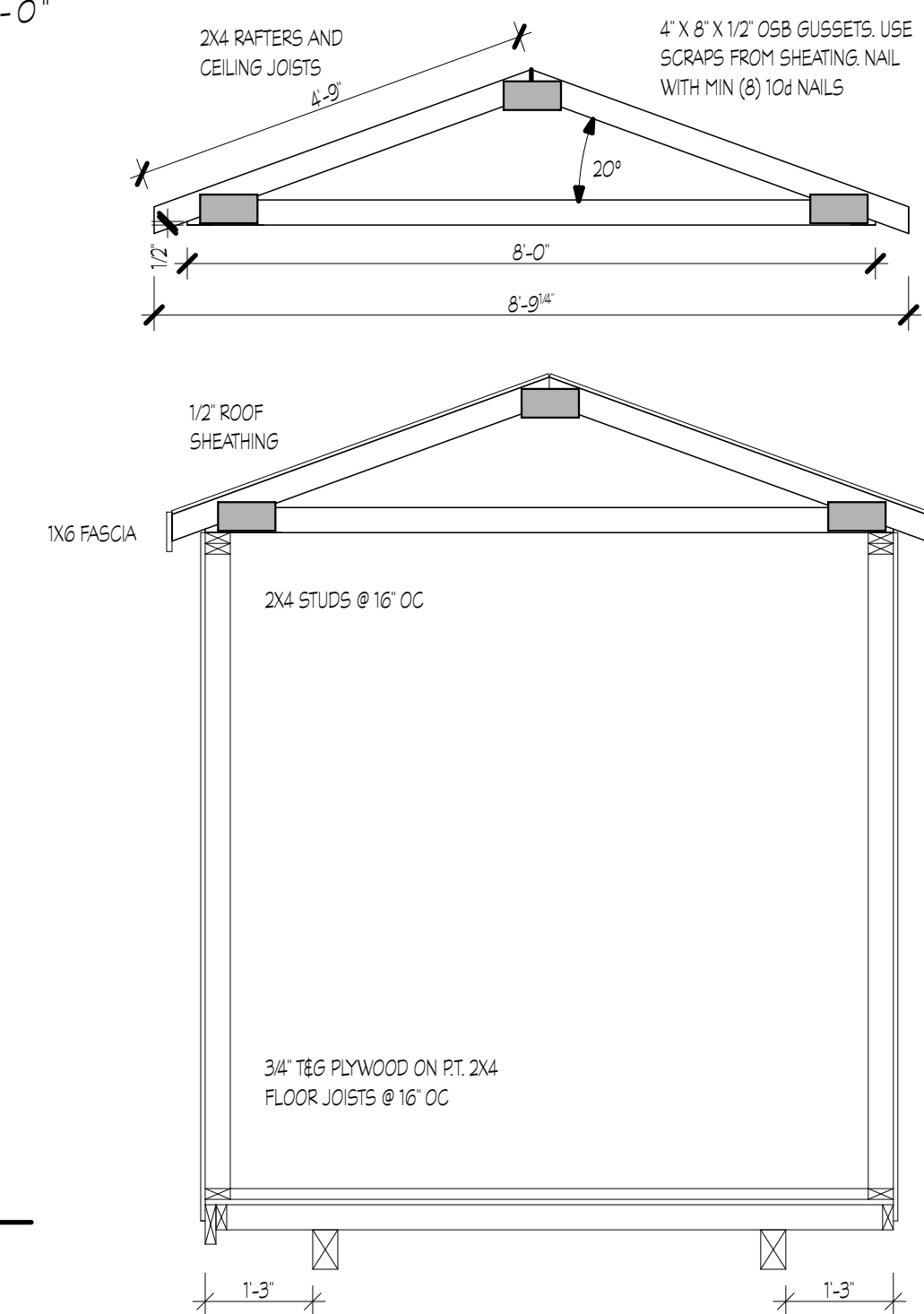
END FRAMING (WINDOW)

SCALE: 1/2" = 1'-0"



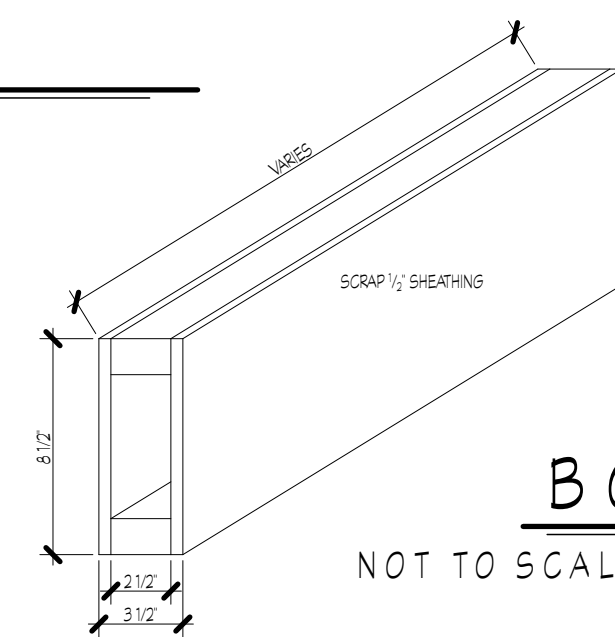
END FRAMING (WINDOW)

SCALE: 1/2" = 1'-0"



SHORT SECTION / TRUSS

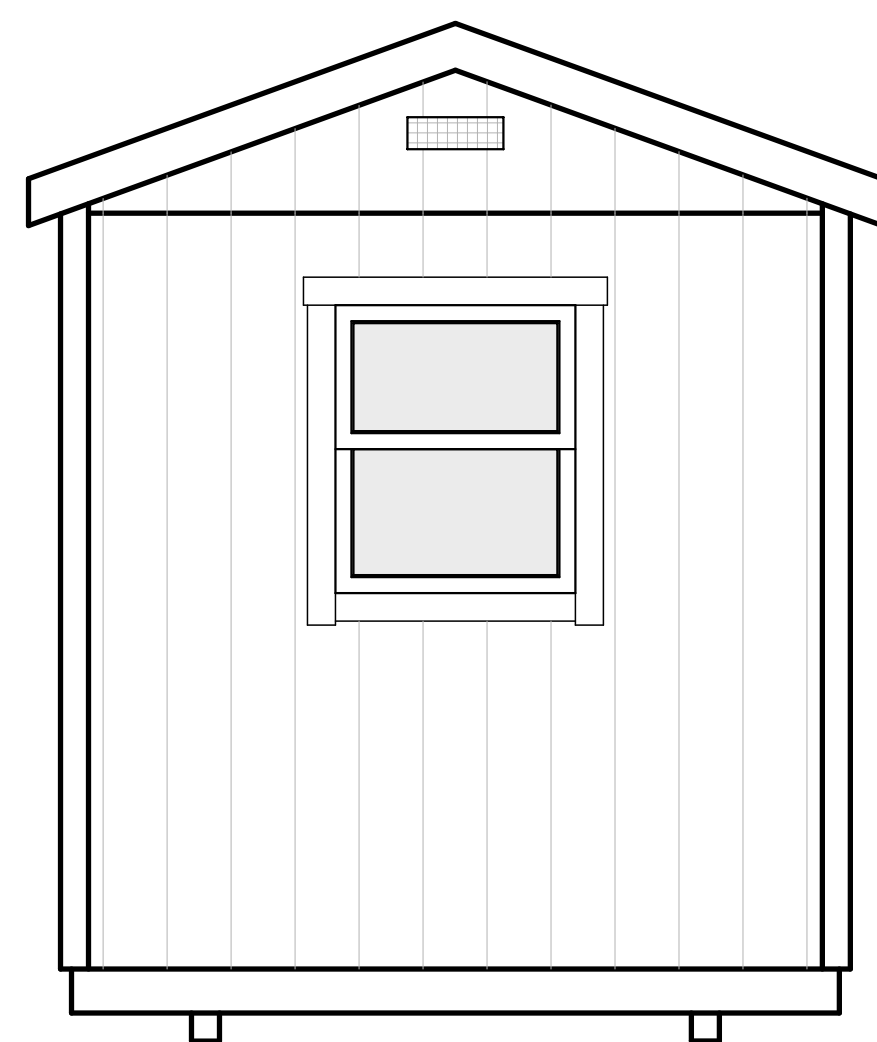
SCALE: 1/2" = 1'-0"



BOX HEADER

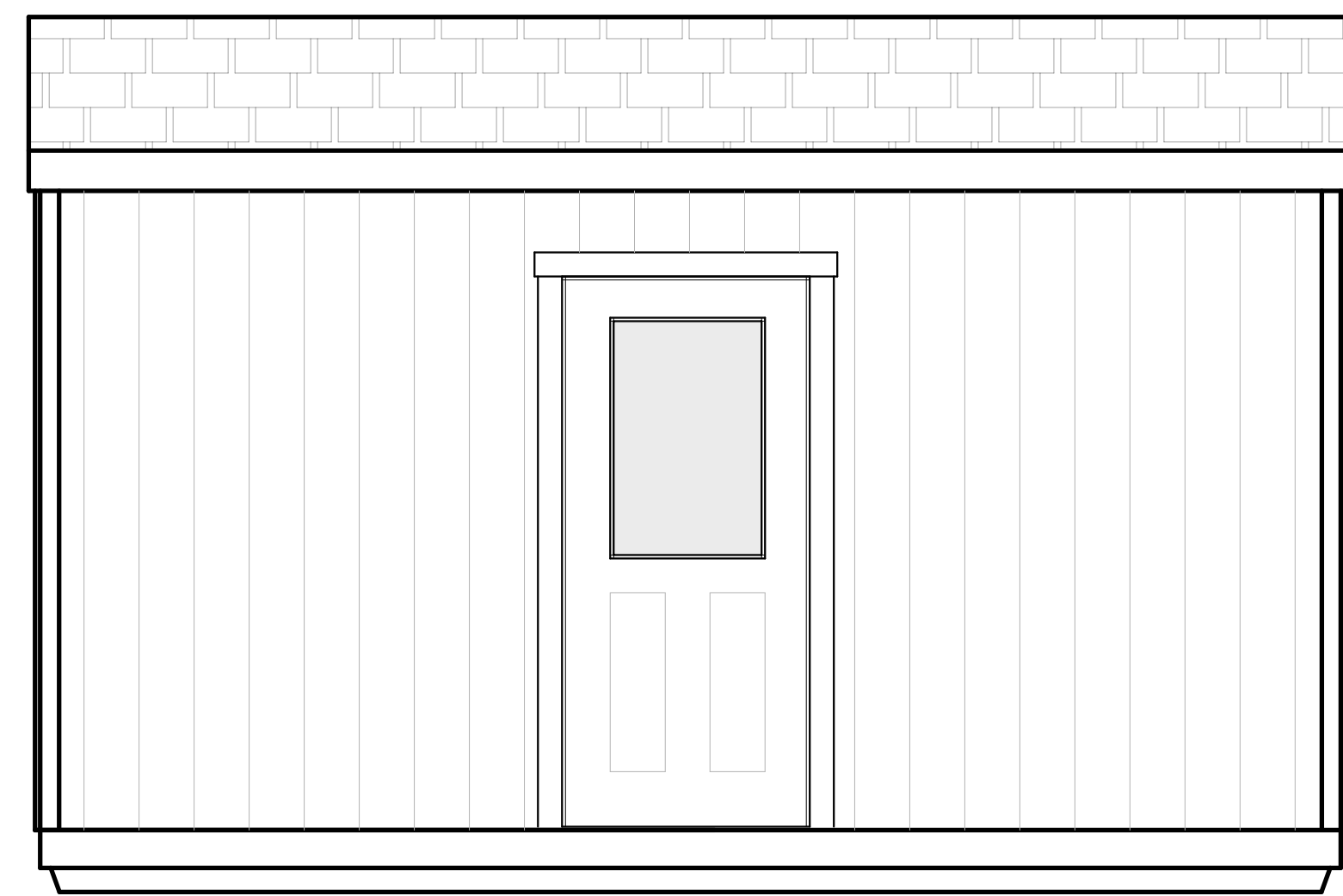
NOT TO SCALE

1'-0"



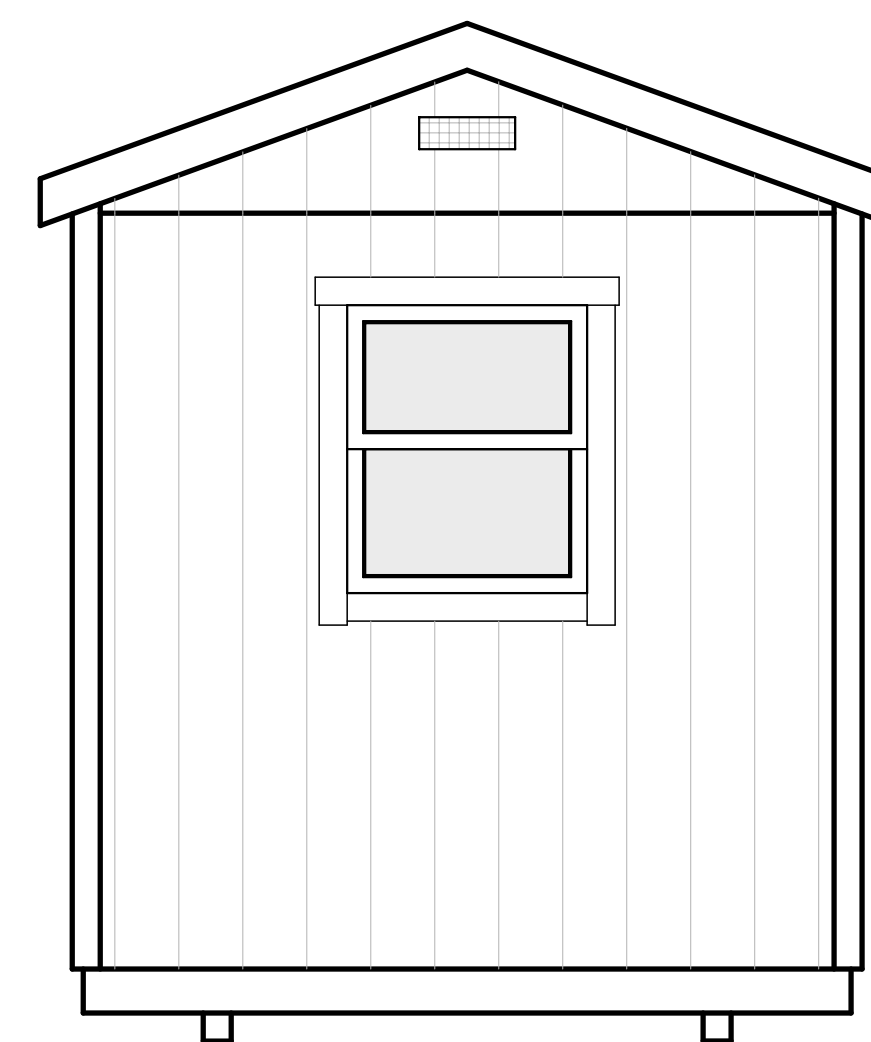
END ELEVATION (WINDOW)

SCALE: 1/2" = 1'-0"



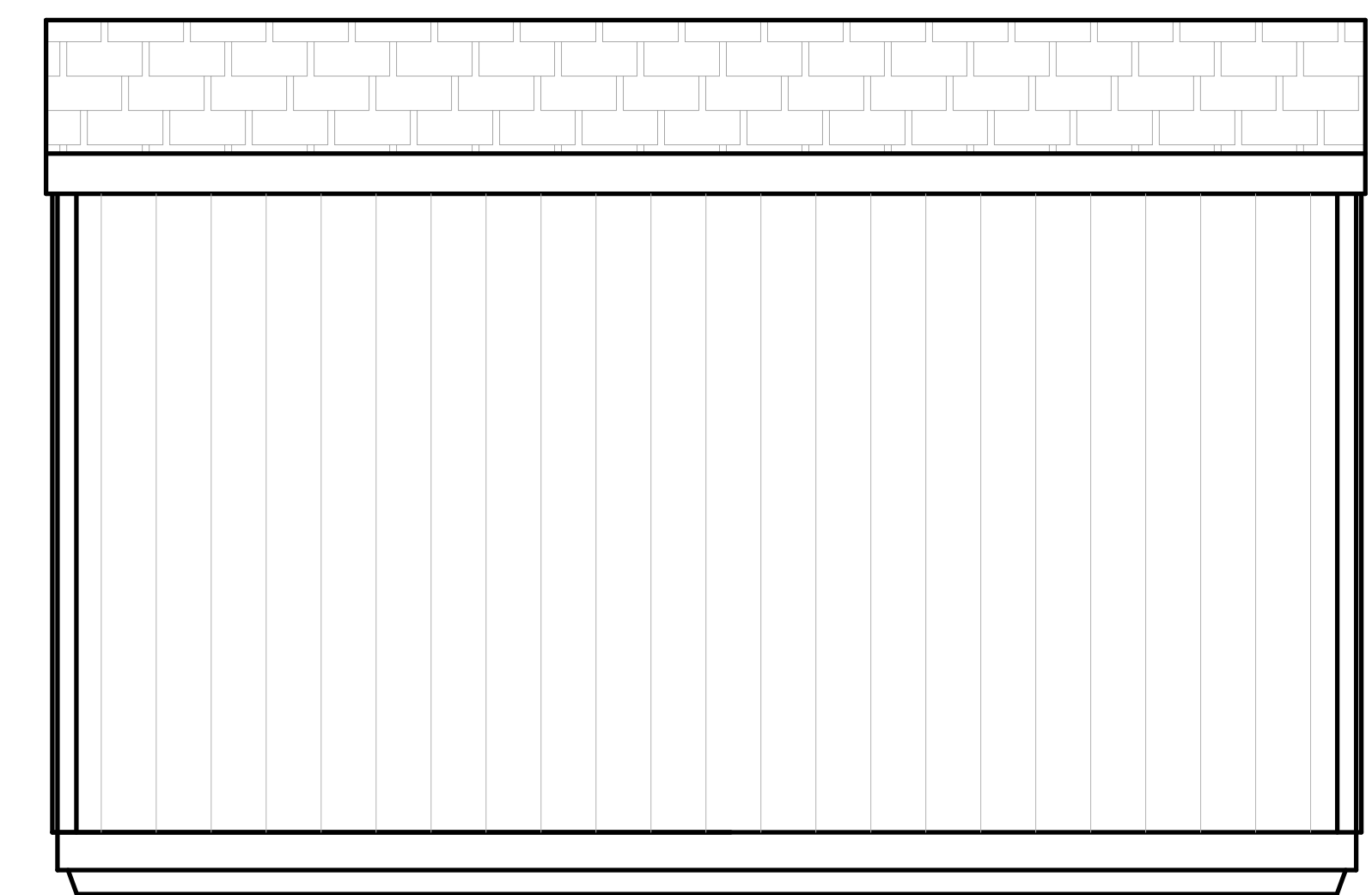
SIDE ELEVATION W/DOOR

SCALE: 1/2" = 1'-0"



END ELEVATION (WINDOW)

SCALE: 1/2" = 1'-0"



SIDE ELEVATION

SCALE: 1/2" = 1'-0"



MEMBERS OF THE  
AMERICAN INSTITUTE  
OF ARCHITECTS

SHEET NO

01

Arbor South Architecture, P.C.  
Everyone Village - Consult